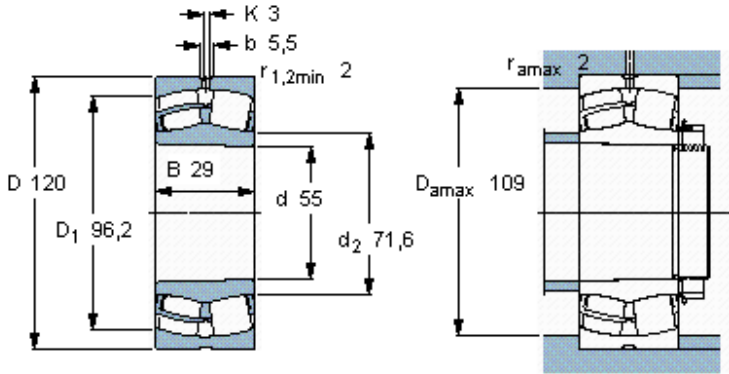


Spherical roller bearings, cylindrical and tapered bore

Principal dimensions			Basic load ratings		Speed ratings		Designation
d	D	B	dynamic C	static C0	Reference speed	Limiting speed	
mm			kN		r/min		* SKF Explorer bearing
55	120	29	159	166	5600	7500	- 21311 EK *



Tapered bore, taper
1: 12

Calculation factors

- e 0,25
- Y₁ 2,7
- Y₂ 4
- Y₀ 2,5